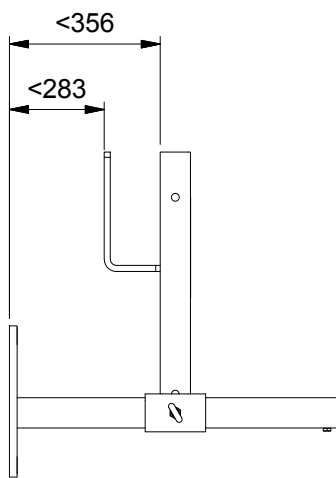
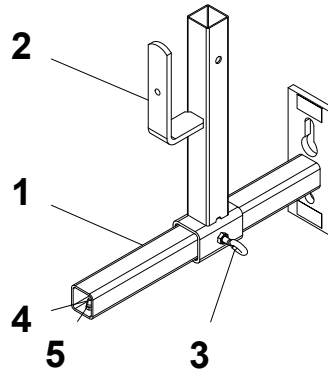


## SMB SYSTEM S

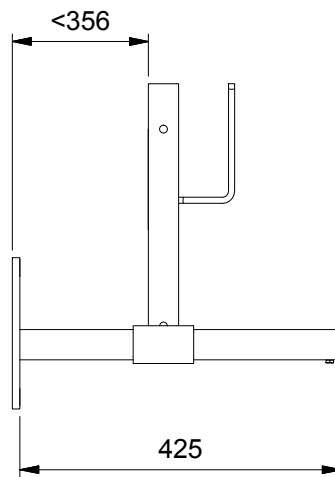
4,3 kg

EN 13374-A

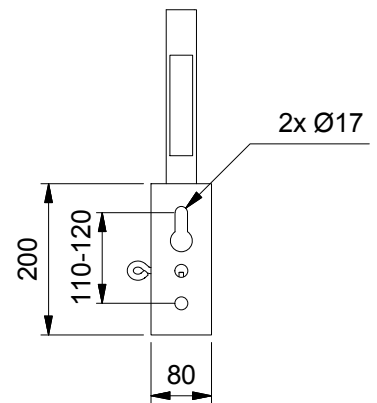
Item	Part number
1	10056
2	10055
3	100244, M8 x 20
4	100569, ISO 4017 - M6 x 18
5	100061, ISO 7040 - M6



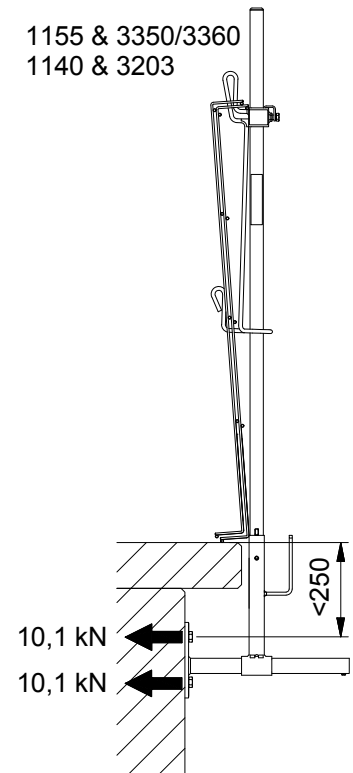
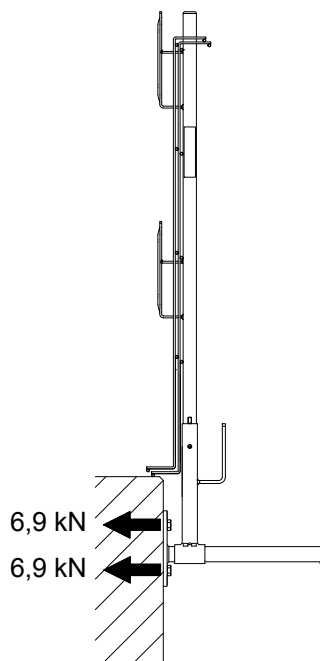
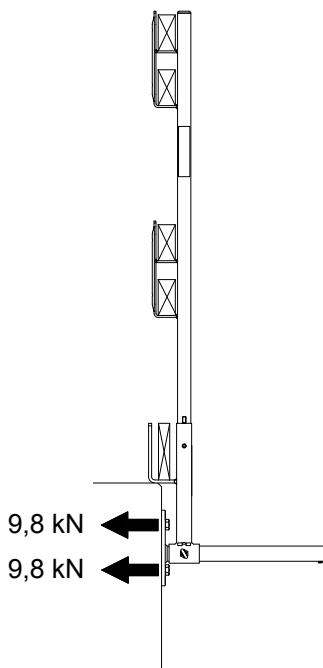
1102/2000 & Wooden rails



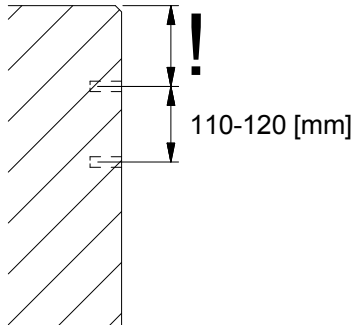
1102/2000 & 3203/3350/3360



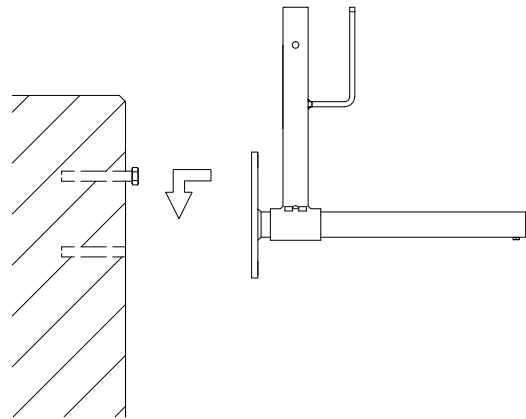
1155 & 3350/3360  
1140 & 3203



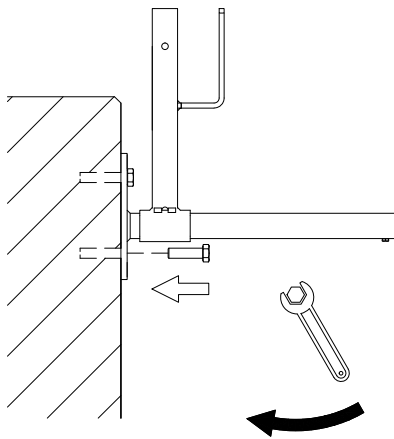
1.



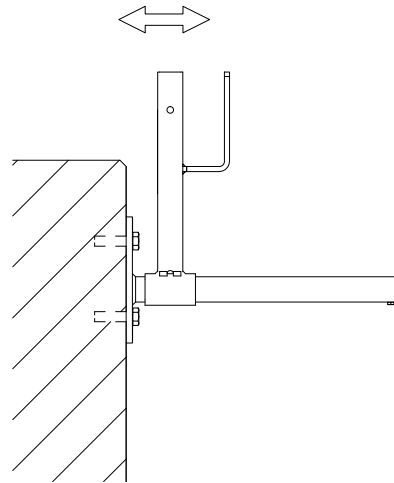
2.



3.



4.



5.

