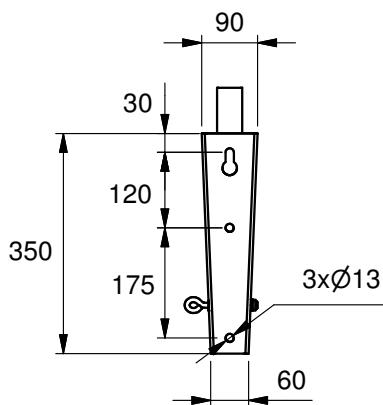
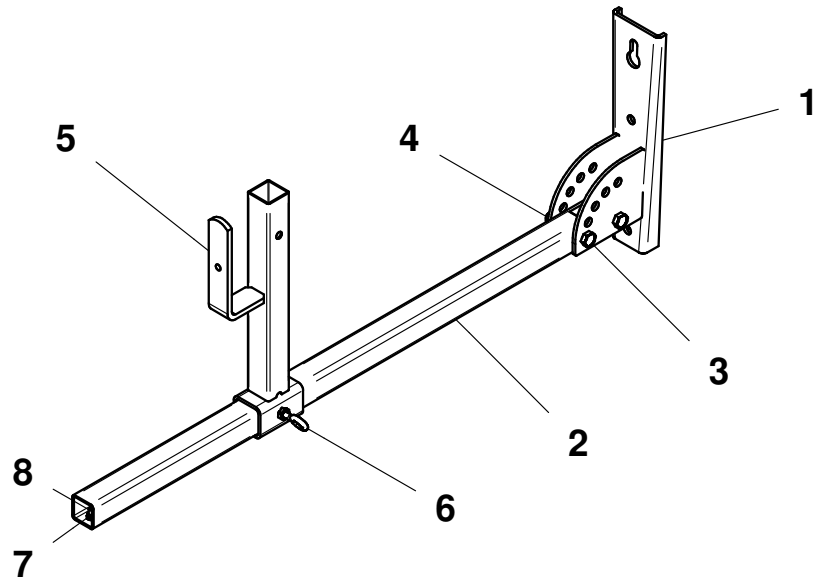


## SMB SYSTEM S

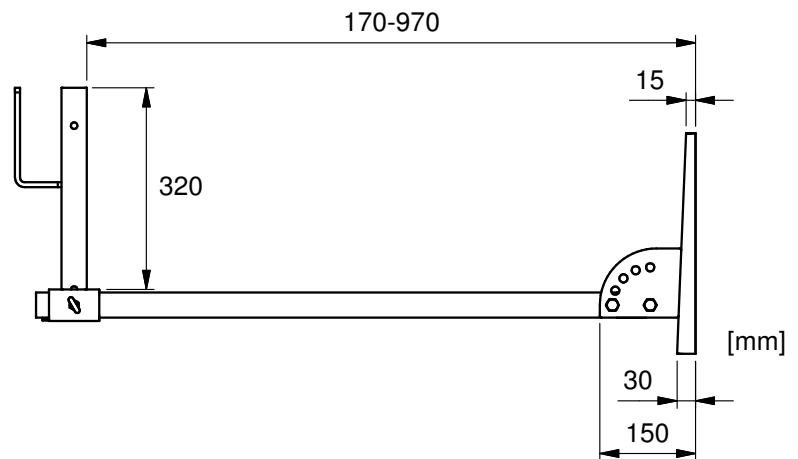
7,6 kg

EN 13374-A-B

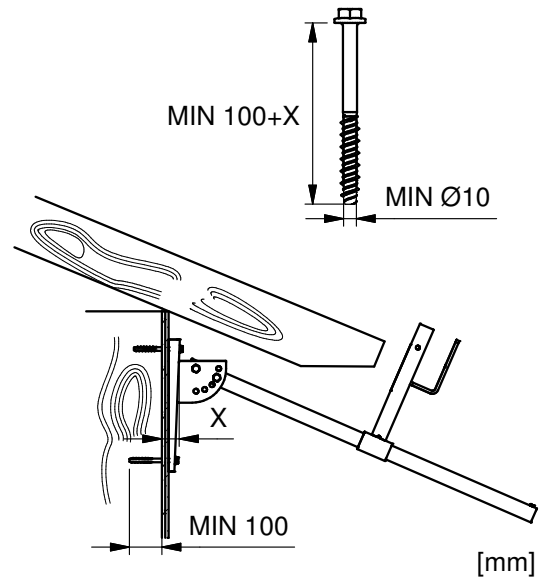
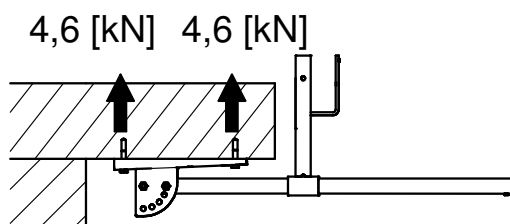
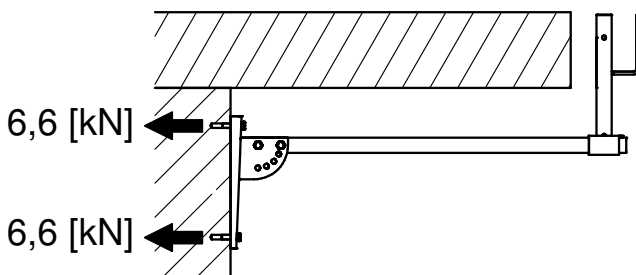
Item	Part number
1	10184
2	10322
3	100297, ISO 4014 - M12 x 70
4	100025, ISO 7040 - M12
5	10055 (100244 included)
6	100244, M8 x 20 - $\phi$ 12
7	100061, ISO 7040 - M6
8	100569, ISO 4017 - M6 x 18



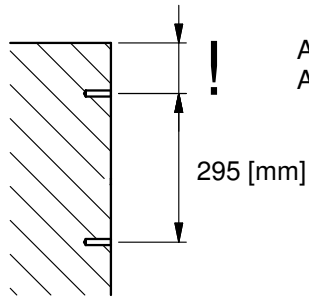
**EN 13374 A**



**EN 13374 B**

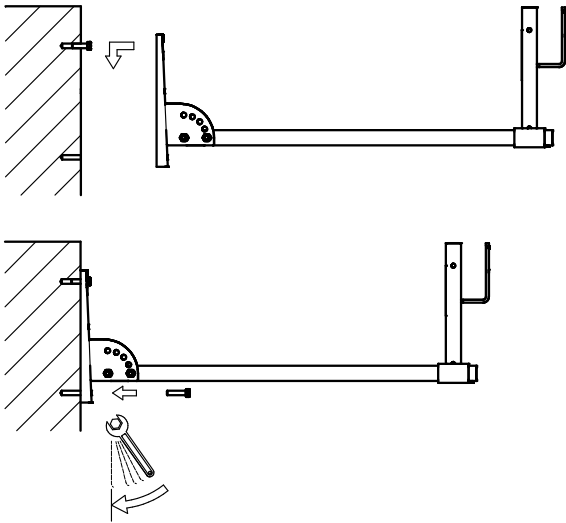


1.

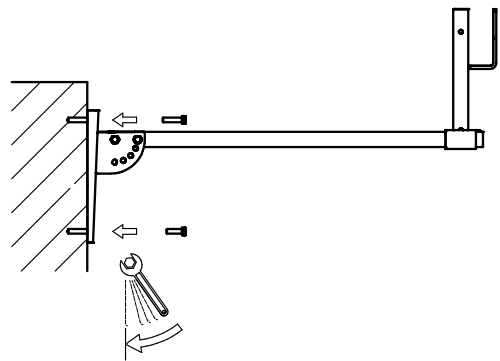


Art. No. 1102/2000: MAX 220 [mm]  
Art. No. 1140: MAX 440 [mm]

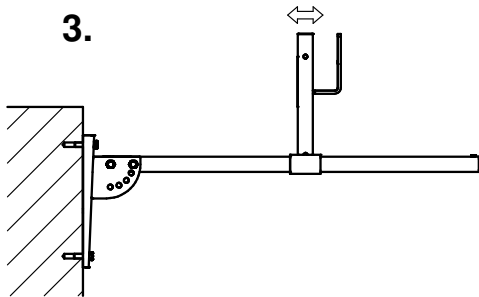
2.A



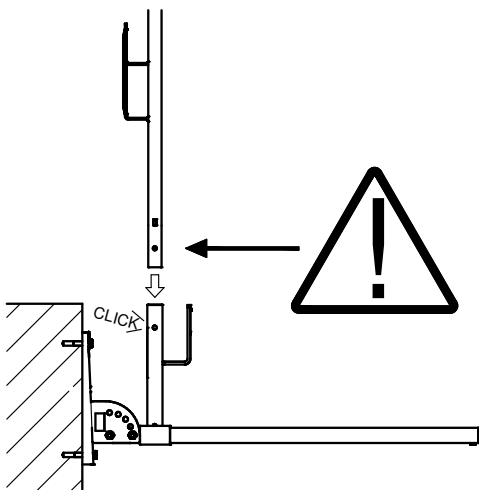
2.B



3.



4.A



4.B

