

Weight Angel™

Protection Systems



Installation & User Manual

August 2015



INTRODUCTION

This Manual contains safety information and instructions for installing the Weight Angel Safety system and should be stored in an area where it is accessible to installers and layout designers of the system.

Continued improvement and advancement of product design may have caused changes to the current Weight Angel Safety System, which are not included in this Manual. Whenever a question arises regarding the Weight Angel, or this Manual, please consult the Bettersafe International website at www.bettersafeinternational.com for the latest available information.

Further information on the Weight Angel Safety System is available in training material and courses. Further enquiry regarding these materials and courses should be directed to: info@bettersafeinternational.com

CUSTOMER SERVICE

Please contact the Bettersafe International for enquiries regarding the operation, periodic examination and recertification and repair of your Weight Angel Safety System. To request more information please contact Customer Service on

info@bettersafeinternational.com

www.bettersafeinternational.com

UK + 44 (0) 1260 217 437

NETHERLANDS + 31(0) 183 820 280

IMPORTANT SAFETY INFORMATION

Do not install the Weight Angel Safety System unless you have read and understand the instructions and warnings in all Manuals and have been authorised by Bettersafe International to do so.

- Failure to follow the instructions or heed the warnings or improper operation could result in injury or death.
- Do not tamper with or make any alterations to the Weight Angel Safety System.
- The Weight Angel Safety System shall not be used outside its limitations as described in this Manual, or for any purpose other than that for which it is intended.
- The operation and maintenance of the Weight Angel Safety System must comply with the work safety laws of the jurisdiction in which it is used. Compliance may include the requirement for a Risk Assessment or Fall Hazard Survey Report.
- Installers and Operators of the Weight Angel Safety System must be properly trained and competent.
- A full body harness suitable for fall-arrest is the only acceptable body holding device that can be used with the Weight Angel Safety System.
- Operators must carry out a Pre-Use Check of the equipment to ensure that it is in a serviceable condition and operates correctly before it is used.
- It is essential for safety that equipment is withdrawn from use immediately should any doubt arise about its condition for safe use.
- Do not remove the labels from the Weight Angel Safety System.
- For protection of two person s only.
- A rescue plan shall be in place to deal with any emergencies that could arise during the work



INSTALLATION LIMITATIONS

The Weight Angel Safety System is designed with the following limitations:

1. Fall Arrest for two (2) users
2. Maximum roof pitch of five (5) degrees
3. Roofing Materials
 - i. Single Ply Membrane
 - ii. Single Ply Bitumen Membrane with stone covering
 - iii. Single Ply Membrane Bitumen
 - iv. Concrete Deck
4. Weather
 - i. Wet surfaces are tested
 - ii. Dry surfaces are tested

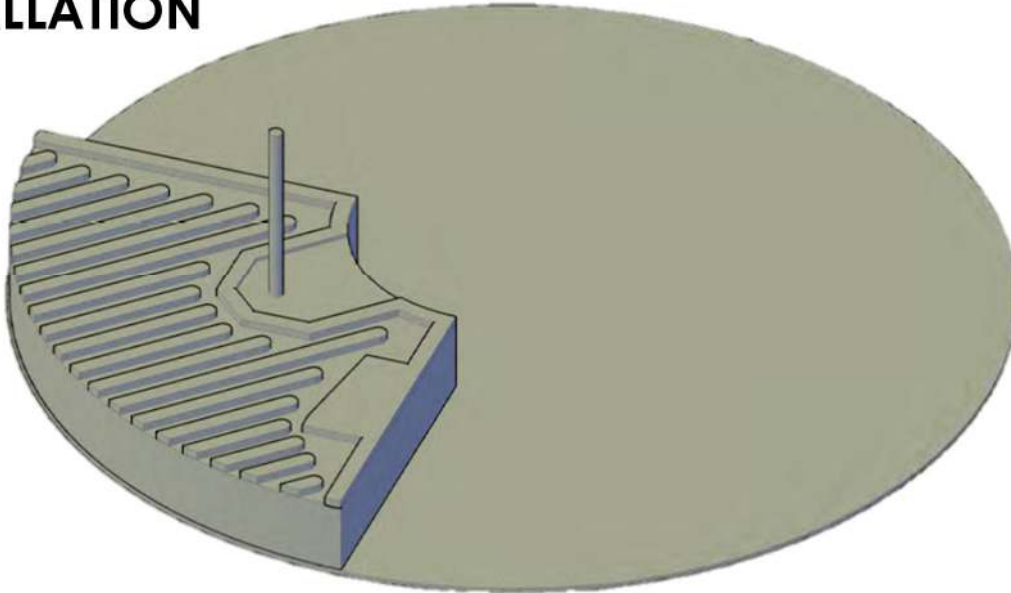


USER NOTES

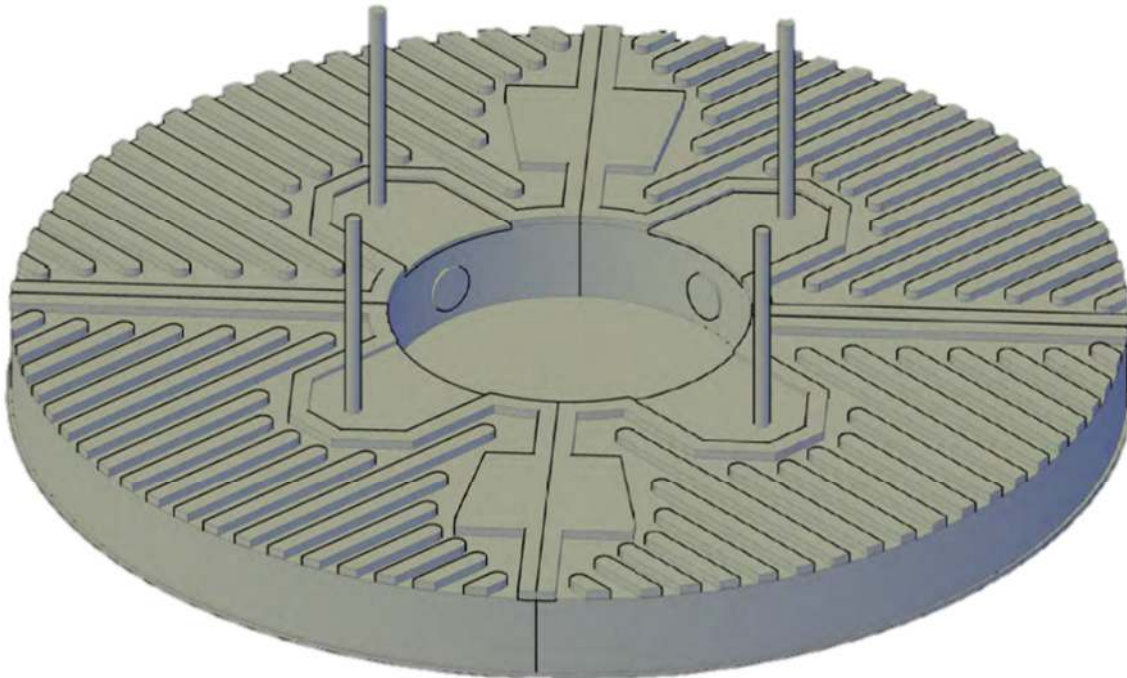
1. The Weight Angel Safety System is suitable for use with the following products
 - i. Full Body Harness conforming to EN361
 - ii. Self Retracting Lifelines conforming to EN360 and sharp edge testing
 - iii. Adjustable Lifelines conforming to EN353
 - iv. Horizontal single span lifelines conforming to EN795 Class C
 - v. Rescue Equipment and Descent controllers conforming to relevant EN standards
2. The Weight Angel Safety System should only be used by a maximum of two (2) users at any one time.
3. Care should be taken to only use karabiners and hooks that will not interact with each other and cause forced roll out. A screw gate type karabiner is recommended.
4. Installation via the following instructions must be performed completely prior to use.



INSTALLATION



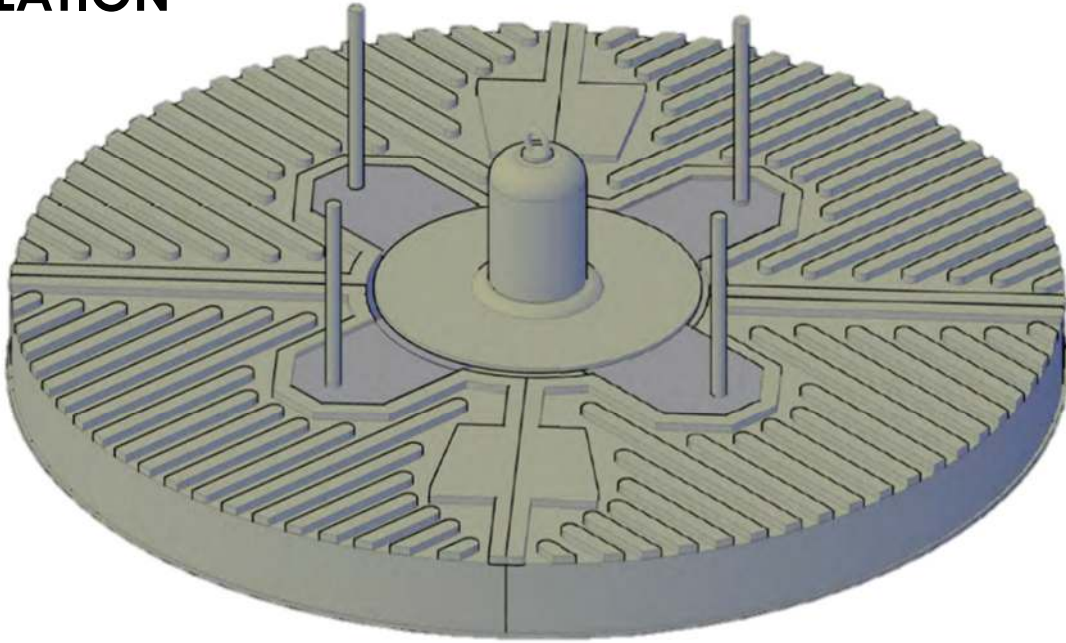
- 1) Lay rubber matting (WA 005) in accordance with BS EN 795 Class E
- 2) Insert M16 Rod Assembly Set (WA 001) through the underside of the recycled plastic weight (GA 02)
- 3) Position weight on to rubber matting



- 4) Repeat instructions 2 for the next 3 weights and position on the rubber matting as per above diagram

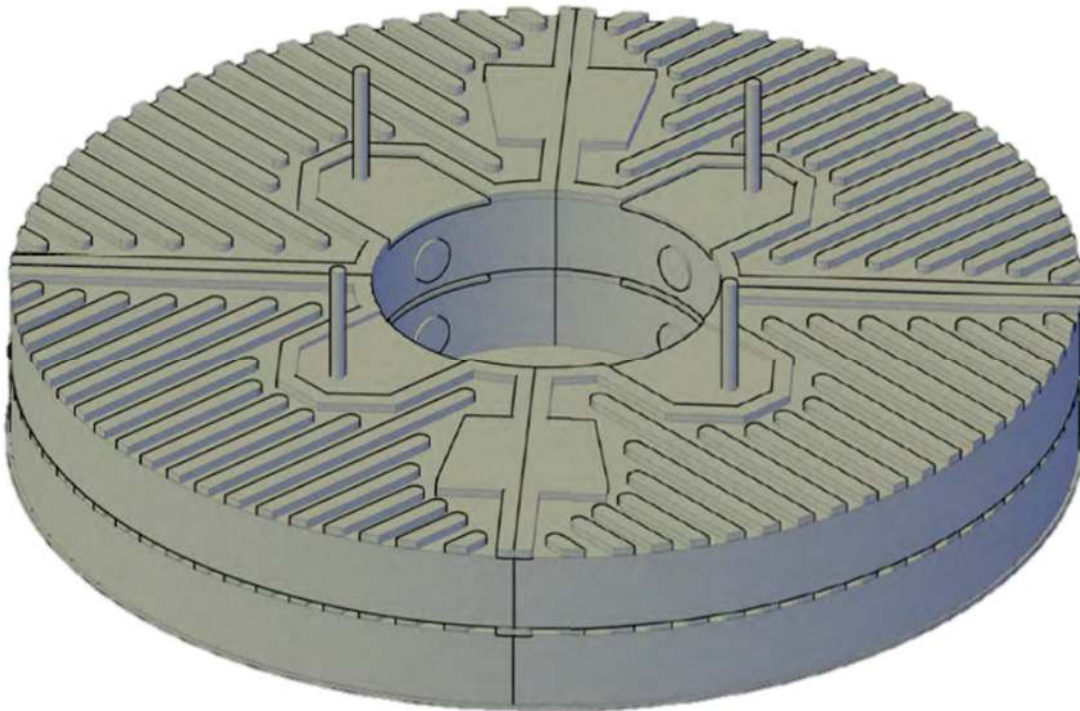


INSTALLATION



5) Place pre assembled crossover plates and posts on top, to ensure weights are aligned correctly

6) Remove pre assembled crossover plates and posts



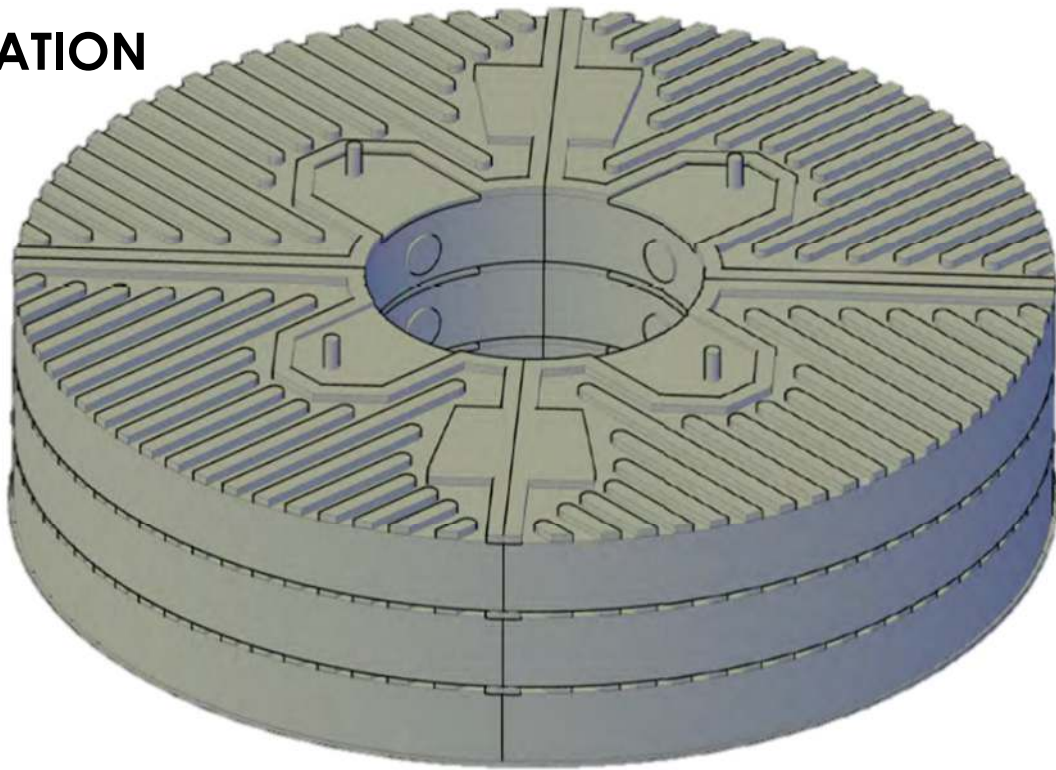
7) Position next layer of weights on top and through the M16 Rod.

8) Repeat instruction 5 to ensure correct alignment

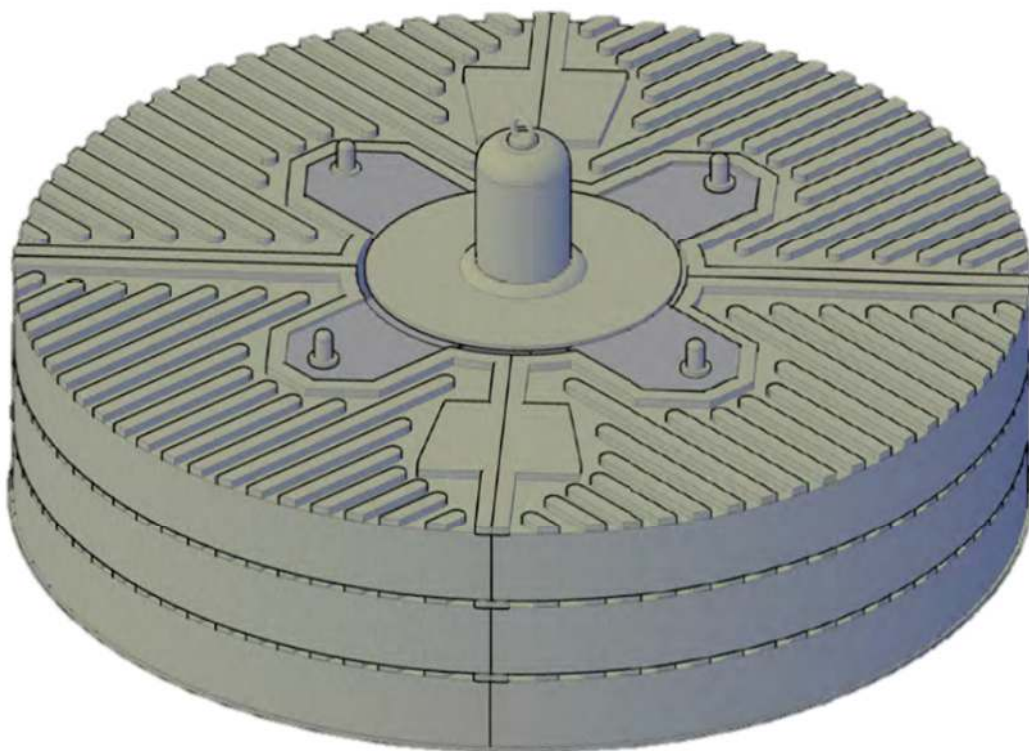
9) Repeat instruction 6



INSTALLATION



10) Position next layer of weights on top and through the M16 Rod,



11) Place pre assembled crossover plates and post on M16 rods and fix with M16 Dome hex set (WA 001)

12) Weight Angel is ready for use in accordance with BS EN 795 Class E





UK
Riverside
Mountbatten Way
Congleton
Cheshire
CW12 1DY
United Kingdom

† | + 44 (0) 1260 217 437

NETHERLANDS
Azewijnseweg 12 SF
4214 KC Vuren
The Netherlands

† | + 31 (0) 183 820 280

info@bettersafeinternational.com
www.bettersafeinternational.com

